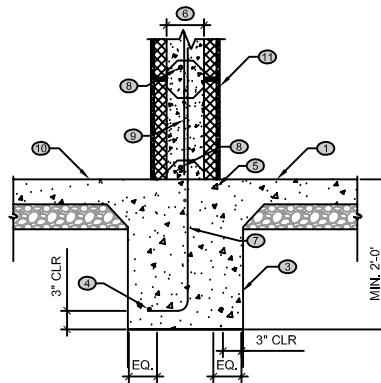


A WALL SUPPORTED BY TOP OF FOOTING



B WALL SUPPORTED BY TOP OF CONCRETE STEM

- ① FINISHED GRADE
- ② 18" MINIMUM BELOW FINISH GRADE
- ③ FOOTING SIZE PER DESIGN
- ④ REINFORCING PER DESIGN
- ⑤ FOOTING STEM WALL WITH CONTINUOUS #4 BAR TOP AND BOTTOM
- ⑥ ICF CONCRETE CORE THICKNESS
- ⑦ VERTICAL DOWELS TO MATCH ICF WALL VERTICAL REINFORCING ALTERNATE BENDS
- ⑧ HORIZONTAL REINFORCING
- ⑨ VERTICAL REINFORCING
- ⑩ 4" THICK CONCRETE SLAB OVER 4" ABC FILL
- ⑪ CAST SLAB DIRECTLY AGAINST THE ICF CONCRETE CORE

NOTE:
ICF SCREEN GRID TO BE PER IRC 2012 FOOTING WIDTH, REBAR SIZE AND SPACING PER SECTION R611 - 2012

- Ⓐ ACTUAL REBAR QUANTITY MAY DIFFER FROM DRAWN DETAIL, (1) TOP OR BOTTOM BAR SHALL BE CENTER ON FTG WIDTH, (3) OR MORE BARS SHALL BE SPACE EVENLY
- Ⓑ LAP REINFORCING BARS PER 40 DIAMETERS
- Ⓒ CONTRACTOR IS PERMITTED TO USE OPTION (A) OR (B) PER THIS DETAIL
- Ⓓ FOOTING STEM WIDTH AT OPTION (B) MAY BE DECREASED TO MATCH ICF CONCRETE CORE THICKNESS AT CONTRACTORS DISCRETION

10 ICF WALL AT INTERIOR CONTINUOUS FOOTING

SCALE: 1'-0" = 3/4"