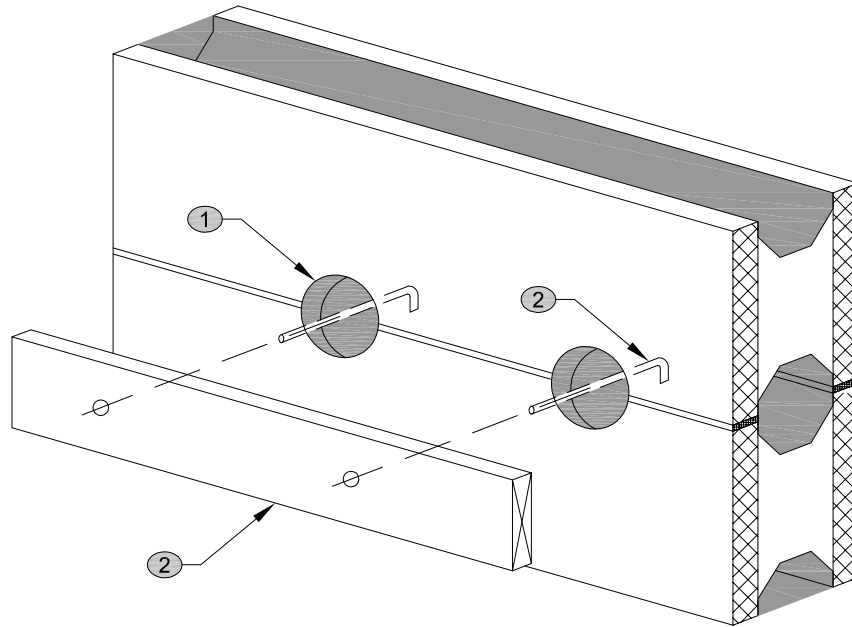


- ① CUT CONCRETE FORMS TO PROVIDE A 4" DIAMETER CONCRETE BEARING SURFACE AT ANCHOR BOLTS
- ② LEDGER AND ANCHOR BOLTS PER DESIGN



NOTE:
ICF SCREEN GRID TO BE PER IRC 2012
FOOTING WIDTH, REBAR SIZE AND
SPACING
PER SECTION R611 - 2012

05 TYPICAL LEDGER AT ICF WALL

SCALE: 1'-0" = 3/4"